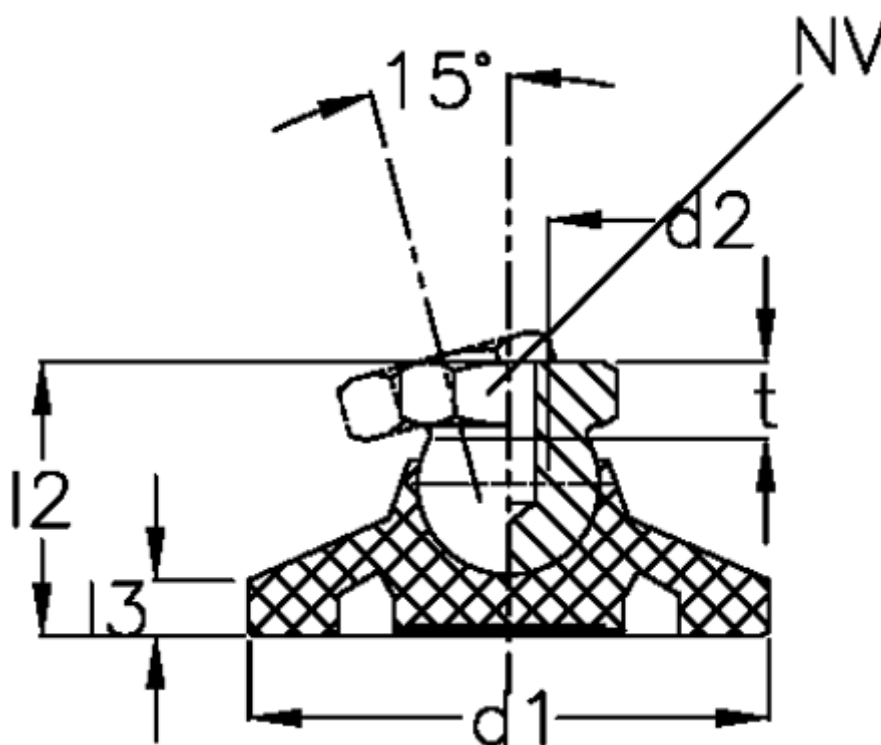


Article number: 20957460

Description: E+G Levelling foot
GN 343.3-40-M10-A

Measures



d_1	= 40
d_2	= M10
l_2	= 25.5
l_3	= 6.0
NV	= 15.0
Static load (N)	= 10000
t min	= 10.5